

Designed especially for secondary academic institutions, the **Educare® Fume Cupboard** offers an economical and practical choice for any customer wanting a constant air volume (CAV) fume cupboard that fits into a busy teaching environment. The Educare® model is built to the same high-quality standards as other TPE fume cupboards.

Additionally, there are design options offered for the Educare® fume cupboard that can be useful both to schools and to other customers. Several options are illustrated on this page.

The Educare® Fume Cupboard fully complies with AS/NZS 2243.8 (2006) standards.

Option 1 – Fitted into a Wall Penetration

This DS Educare® fume cupboard, fitted into a wall penetration, permits set up of an experiment or process from another room, while the sash on the other side is locked closed.

At the proper time, the front sash can be opened, and the work can be begun or resumed by the person on this side of the fume cupboard.

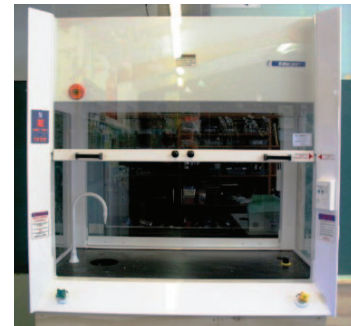
This unit is designed so only one sash can open at a time. Whether teacher and students, or employees with different tasks, TPE's Double-Sided option is a great convenience.

Option 2 – Wall Installation

This Educare® fume cupboard, installed along a wall, allows excellent viewing for observers because of its Side Windows feature.

Option 3 – Freestanding Installation

This Educare® fume cupboard, meant for a free-standing installation in the middle of a room, provides the ultimate in visibility. Even with several people working at the fume cupboard, the view is unimpeded for anyone else in the room.



Option 1



Option 2



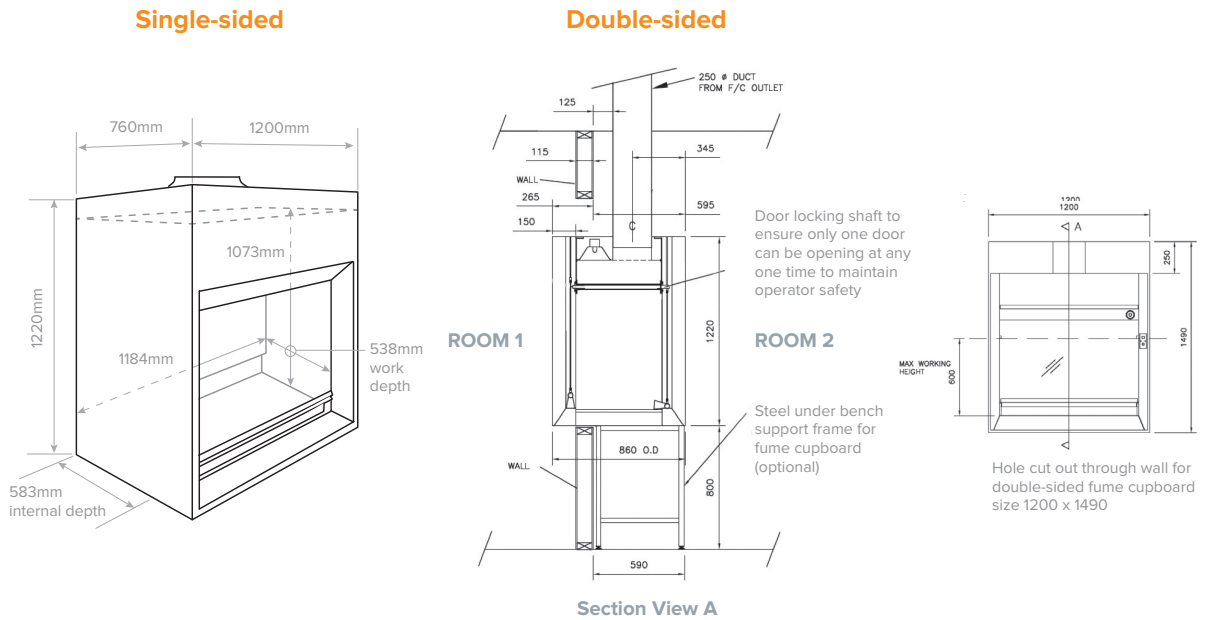
Option 3

The economical choice for many schools:

- ▶ Constant air volume (CAV)
- ▶ Conveniently sized for smaller work areas
- ▶ Optional Double-Sided (DS) models
- ▶ Optional Side Windows
- ▶ Optional Wrap-Around Glass.

Educare® Details

Dimensions for the Single-Sided Educare® fume cupboard are shown below on the left. For the Double-Sided Educare®, the wall opening required for such an installation is shown below on the right.



Specifications

	Single-sided fume cupboard	Double-sided fume cupboard
Size	1200mm	1200mm
Overall Height	1220mm	1220mm
Overall Depth	750mm	860mm
Internal Width	1184mm	1184mm
Internal Height	1073mm	1073mm
Internal Depth of Work Top	583mm	556mm
Design Face Velocity	0.5 metres/second	
Fixed Volume Flow Rate	265 Litres/second	
Work Top Material	Compact Laminate Work Surface; options available.	
Available Work Area	1184mm x 538mm	1184mm x 556mm
Construction Design	Single-skin uPVC Standard	
Sash Material	1 x 5mm Toughened Glass	2 x 5mm Toughened Glass
Control System	1 x Advanced Air® Fixed Volume Controller with LCD display; 1 x Emergency Stop button.	1 x Advanced Air® Fixed Volume Controller with LCD display; Two 1 x Emergency Stop button.
Internal Pre-wiring	Fully pre-wired	
Power Supplies	230V Single-Phase (standard); options available for various countries.	
Water Services	Cold Water, Hot Water, complete with sink.	
Dry Services	Natural Gas; others available.	
Power Points	10-Amp Double, 15-Amp Single.	