

TPE's **Laminair™ Fume Cabinet** provides a unique combination of user protection from harmful chemicals while maintaining a sterile field over the working area inside the cabinet.

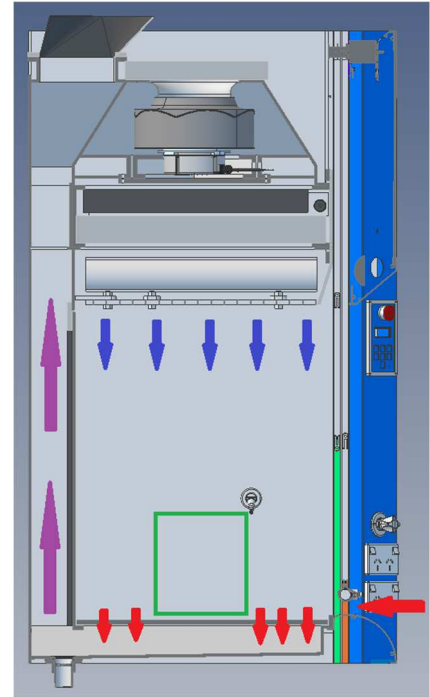
## Product Overview

An integral blower fan provides H14 HEPA filtered air in a laminar pattern over the perforated work surface, and an external exhaust fan ensures the capture of any fumes generated by equipment inside the chamber as well as a containment flow of air through the sash. This protects both the process inside the chamber, and the lab personnel working at the cabinet.

The full fire-retardant polypropylene construction provides a corrosion resistant, cleanable working chamber, with the option of including a built-in packed bed wet scrubber to capture any water-soluble fumes generated by the process, making it suitable for acid digestion work.

Secondary exhaust filtering can also be included for capturing any particle hazards prior to discharging the exhaust air.

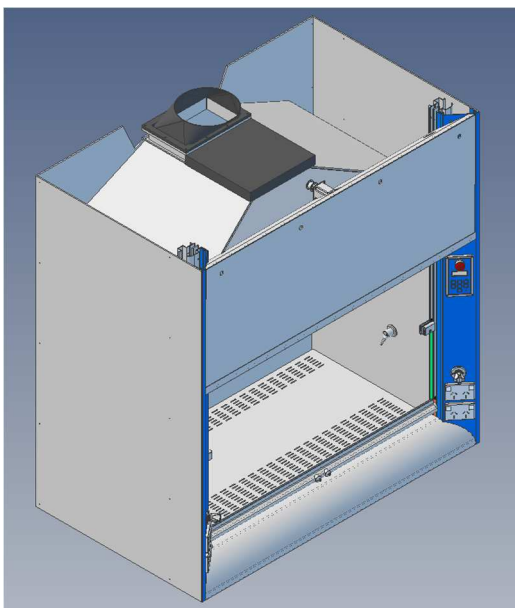
The air inlet to the blower can be left to draw room air or connected to a supply air system.



## Key Features

- ▶ Electronically Commutated single-phase blower fan allows fine adjustment of laminar airflow
- ▶ Fume Cupboard standard of fume containment to operator (AS/NZS 2243.8 [2014])
- ▶ Optional Wet Scrubber can be fitted into rear wall cavity
- ▶ Fire Retardant Polypropylene (FRPP) construction for chemical resistance & cleanability
- ▶ ISO Class 5 air can be attained using the H14 HEPA filter above the working chamber
- ▶ Services can be provided with automatic isolation as per a fume cupboard controller.

## Specifications



<b>Airflow</b>	300 L/s Laminar Flow through HEPA filter @ 0.4 m/s velocity 150 L/s through sash opening @ 0.5m/s face velocity
<b>Electrical</b>	Single phase connection to controller required for lights & blower fan. Exhaust fan powered externally.
<b>Internal lighting</b>	Two x 5W LED lights, switched via control panel
<b>External dimensions</b>	1500mm W x 1500mm H x 900mm D
<b>Internal dimensions</b>	1260mm W x 500mm D
<b>Materials</b>	Cabinet – FRPP (class 3 wall lining BRANZ tested) Split Sash – 5 mm toughened glass Fascia & Sash Handle – Extruded, powdercoated Aluminium
<b>Options</b>	<ul style="list-style-type: none"> <li>▶ Wet Scrubber</li> <li>▶ Secondary exhaust Filtering</li> <li>▶ Ducted Inlet Connection</li> <li>▶ Special Task Lighting</li> </ul>

## Protecting Processes & Personnel