

Brinkmann®

Brinkmann® Low Pressure Direct Drive Centrifugal Fans

Application

Brinkmann® Centrifugal Fans have been designed for duct mounting and provide utmost reliability wherever toxic and corrosive gases or contaminated air is to be handled. Constructed from corrosion resistant materials, they are designed for long service and economy, have a low noise level and are easily maintained. An integrated extraction system is an essential component of a Fume Cupboard Management System.

Construction

Moulded in PVC or Polypropylene and includes a drainage point for moisture build-up. (Discharge point adjustable).

Impeller/Rotor:

One piece 36 blade polypropylene rotor, complete with labyrinth seal, coverplate, and is statically and dynamically balanced. The injection moulding process used produces a optimum disc and blade resulting in high performance with extremely low noise levels. These polypropylene rotors are 50% of the weight of their steel equivalents and hence produce better acceleration characteristics and lower operating torque.

Electric Motor:

Powered by three / or single phase motor. The motor rating is matched to airflow requirement.

Wiring:

Wiring of power source and commissioning by Electrical Contractor. (**Note: Wiring diagrams are available**). Fan supplied with a fitted, inbuilt isolation switch.

Stand:

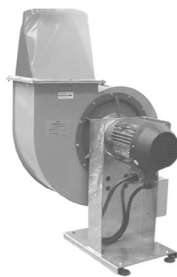
Housing and motor are mounted on a galvanised steel frame with anti-vibration mounts.

Ducting System:

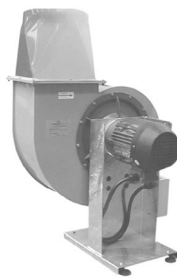
An integral system to be manufactured to match finished ceiling height and external height requirement. Made up from grey PVC Ø160mm 45°/90° bends and per metre PVC straights. Also includes ceiling ring and discharge cowl.

Site Installation:

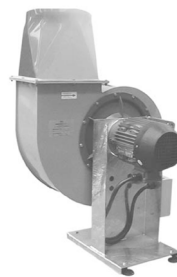
By Thermoplastic Engineering or separate contractor, (**Note: Roof flashing by plumber and fan to be positioned on a support stand by building contractor**). An optional Stainless Steel fan stand constructed from 50mm x 3mm Stainless Steel can be manufactured to order, depending upon the slope of the roof.



[DD160mm](#)



[DD200mm](#)



[DD250mm](#)



[DD315mm](#)



[DD400mm](#)

DD160 Extraction Fan



Brinkmann® Low Pressure Direct Drive Centrifugal Fan Model DD160mm.

Application

Brinkmann® Centrifugal Fans have been designed for duct mounting and provide utmost reliability wherever toxic and corrosive gases or contaminated air is to be handled. Constructed from corrosion resistant materials, they are designed for long service and economy, have a low noise level and are easily maintained.

Construction

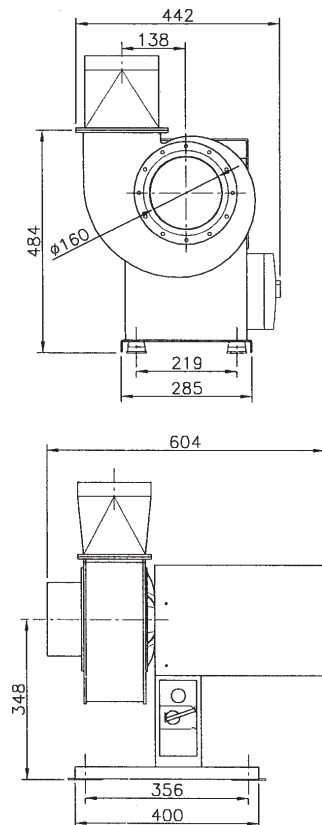
Fan Housing:

Moulded in PVC or Polypropylene and includes a drainage point for moisture build-up. (Discharge point adjustable).

Impeller/Rotor:

One piece 36 blade polypropylene rotor, complete with labyrinth seal, coverplate, and is statically and dynamically balanced. The injection moulding process used produces a optimum disc and blade resulting in high performance with extremely low noise levels.

DD160 Low Pressure Centrifugal Fan Dimensions



Electric Motor:

Powered by three / or single phase motor. The motor rating is matched to airflow requirement.

Wiring:

Wiring of power source and commissioning prior to delivery. (Note: Wiring diagrams are available). Fan supplied with a fitted, inbuilt isolation switch.

Stand:

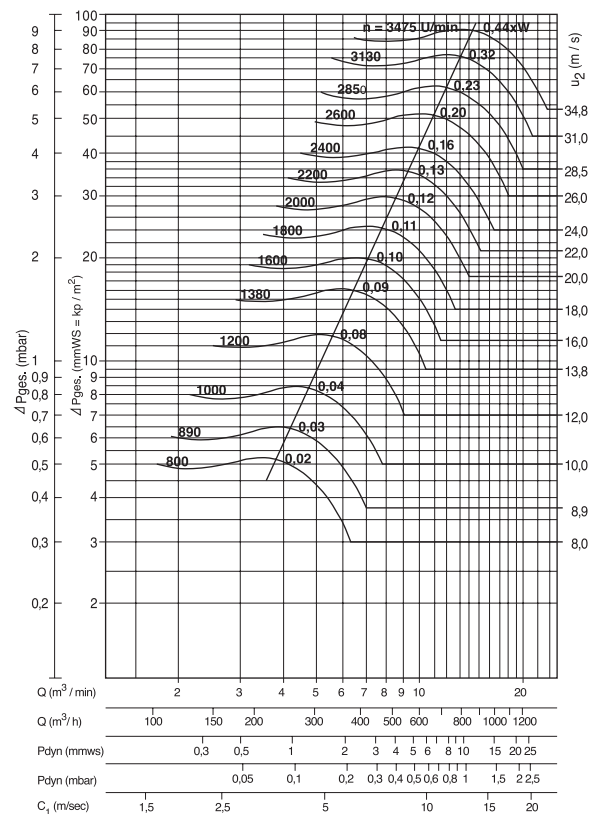
Housing and motor are mounted on a galvanised steel frame with anti-vibration mounts.

Net Fan Weight:

DD160: 20Kg.

DD160 Low Pressure Centrifugal Fan Characteristic Curves

1 mbar (Millibar) = 100 N/m² (Newton-Meter) = 100 Pa(Pascal)
1 mm ws = 0,09807 mbar (Millibar)



DD200 Extraction Fan



Brinkmann® Low Pressure Direct Drive Centrifugal Fan Model DD200mm.

Application

Brinkmann® Centrifugal Fans have been designed for duct mounting and provide utmost reliability wherever toxic and corrosive gases or contaminated air is to be handled. Constructed from corrosion resistant materials, they are designed for long service and economy, have a low noise level and are easily maintained.

Construction

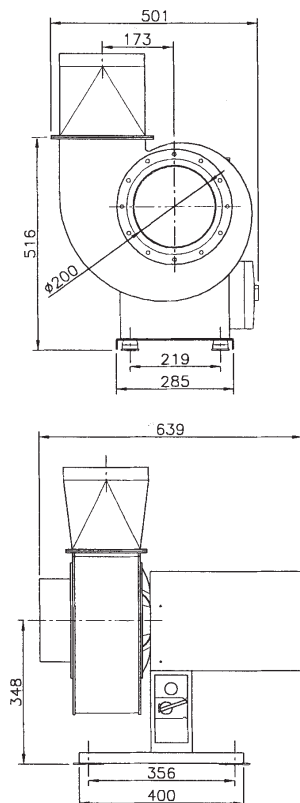
Fan Housing:

Moulded in PVC or Polypropylene and includes a drainage point for moisture build-up. (Discharge point adjustable).

Impeller/Rotor:

One piece 36 blade polypropylene rotor, complete with labyrinth seal, coverplate, and is statically and dynamically balanced. The injection moulding process used produces a optimum disc and blade resulting in high performance with extremely low noise levels.

DD200 Low Pressure Centrifugal Fan Dimensions



Electric Motor:

Powered by three / or single phase motor. The motor rating is matched to airflow requirement.

Wiring:

Wiring of power source and commissioning prior to delivery. (Note: Wiring diagrams are available). Fan supplied with a fitted, inbuilt isolation switch.

Stand:

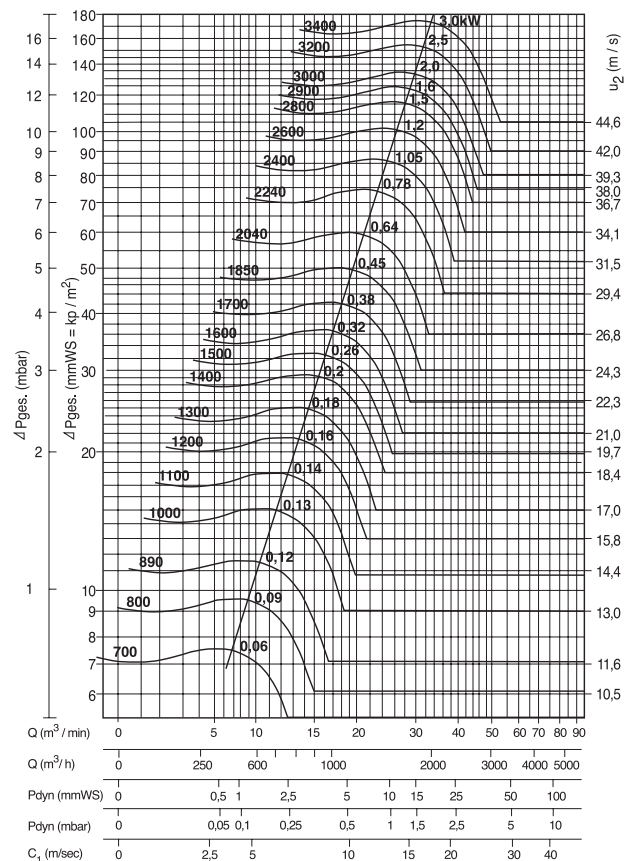
Housing and motor are mounted on a galvanised steel frame with anti-vibration mounts.

Net Fan Weight

DD200: 25Kg.

DD200 Low Pressure Centrifugal Fan Characteristic Curves

1 mbar (Millibar) = 100 N/m² (Newton-Meter) = 100 Pa(Pascal)
1 mm ws = 0,09807 mbar (Millibar)



[Homepage](#)

DD250 Extraction Fan



Brinkmann® Low Pressure Direct Drive Centrifugal Fan Model DD250mm.

Application

Brinkmann® Centrifugal Fans have been designed for duct mounting and provide utmost reliability wherever toxic and corrosive gases or contaminated air is to be handled. Constructed from corrosion resistant materials, they are designed for long service and economy, have a low noise level and are easily maintained.

Construction

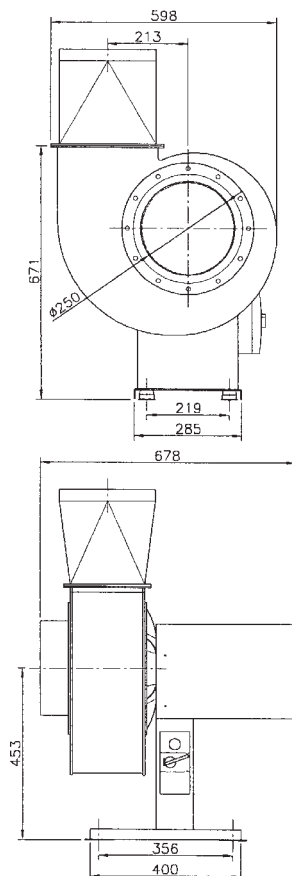
Fan Housing:

Moulded in PVC or Polypropylene and includes a drainage point for moisture build-up. (Discharge point adjustable).

Impeller/Rotor:

One piece 36 blade polypropylene rotor, complete with labyrinth seal, coverplate, and is statically and dynamically balanced. The injection moulding process used produces a optimum disc and blade resulting in high performance with extremely low noise levels.

DD250 Low Pressure Centrifugal Fan Dimensions



Electric Motor:

Powered by three / or single phase motor. The motor rating is matched to airflow requirement.

Wiring:

Wiring of power source and commissioning prior to delivery. (Note: Wiring diagrams are available). Fan supplied with a fitted, inbuilt isolation switch.

Stand:

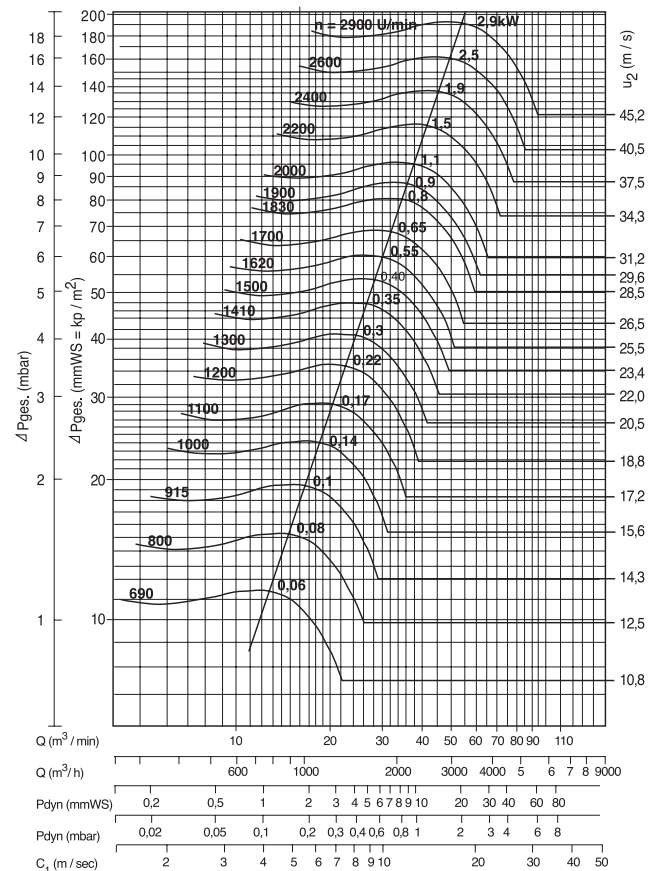
Housing and motor are mounted on a galvanised steel frame with anti-vibration mounts.

Net Fan Weight:

DD250: 35Kg.

DD250 Low Pressure Centrifugal Fan Characteristic Curves

1 mbar (Millibar) = 100 N/m² (Newton-Meter) = 100 Pa(Pascal)
1 mm ws = 0,09807 mbar (Millibar)



[Homepage](#)

DD315 Extraction Fan



Brinkmann® Low Pressure Direct Drive Centrifugal Fan Model DD315mm.

Application

Brinkmann® Centrifugal Fans have been designed for duct mounting and provide utmost reliability wherever toxic and corrosive gases or contaminated air is to be handled. Constructed from corrosion resistant materials, they are designed for long service and economy, have a low noise level and are easily maintained.

Construction

Fan Housing:

Moulded in PVC or Polypropylene and includes a drainage point for moisture build-up. (Discharge point adjustable).

Impeller/Rotor:

One piece 36 blade polypropylene rotor, complete with labyrinth seal, coverplate, and is statically and dynamically balanced. The injection moulding process used produces a optimum disc and blade resulting in high performance with extremely low noise levels.

Electric Motor:

Powered by three / or single phase motor. The motor rating is matched to airflow requirement.

Wiring:

Wiring of power source and commissioning prior to delivery. **(Note: Wiring diagrams are available).** Fan supplied with a fitted, inbuilt isolation switch.

Stand:

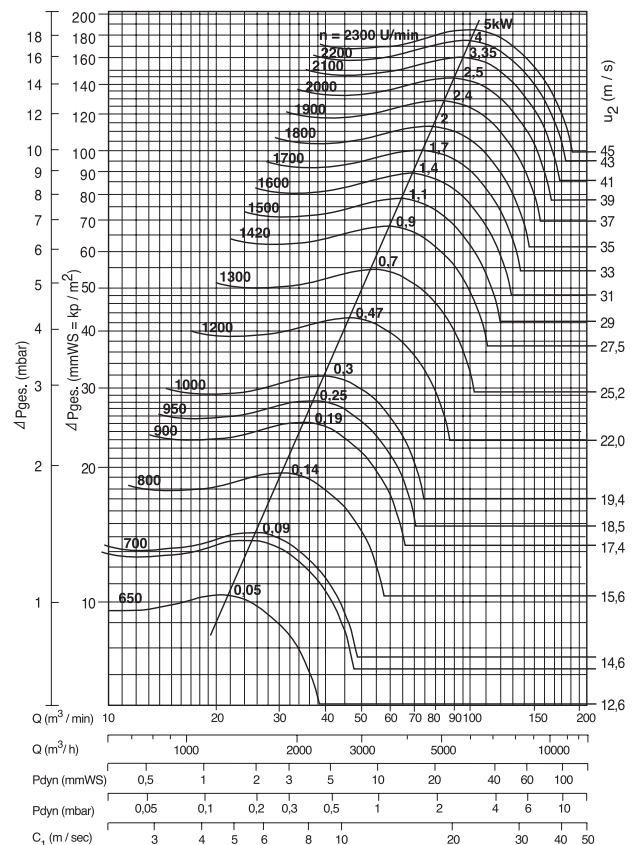
Housing and motor are mounted on a galvanised steel frame with anti-vibration mounts.

Net Fan Weight:

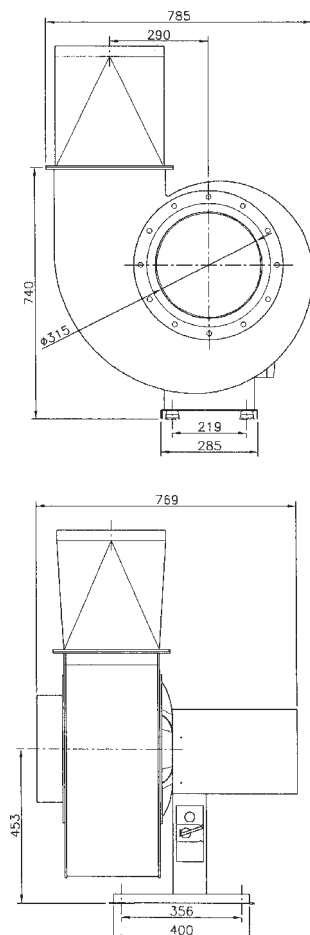
DD315: 45Kg.

DD315 Low Pressure Centrifugal Fan Characteristic Curves

1 mbar (Millibar) = 100 N/m² (Newton-Meter) = 100 Pa(Pascal)
1 mm ws = 0,09807 mbar (Millibar)



DD315 Low Pressure Centrifugal Fan Dimensions



[Homepage](#)



Brinkmann® Low Pressure Direct Drive Centrifugal Fan Model DD400mm.

Application

Brinkmann® Centrifugal Fans have been designed for duct mounting and provide utmost reliability wherever toxic and corrosive gases or contaminated air is to be handled. Constructed from corrosion resistant materials, they are designed for long service and economy, have a low noise level and are easily maintained.

Construction

Fan Housing:

Moulded in PVC or Polypropylene and includes a drainage point for moisture build-up. (Discharge point adjustable).

Impeller/Rotor:

One piece 36 blade polypropylene rotor, complete with labyrinth seal, coverplate, and is statically and dynamically balanced. The injection moulding process used produces a optimum disc and blade resulting in high performance with extremely low noise levels.

Electric Motor:

Powered by three / or single phase motor. The motor rating is matched to airflow requirement.

Wiring:

Wiring of power source and commissioning prior to delivery. (Note: Wiring diagrams are available). Fan supplied with a fitted, inbuilt isolation switch.

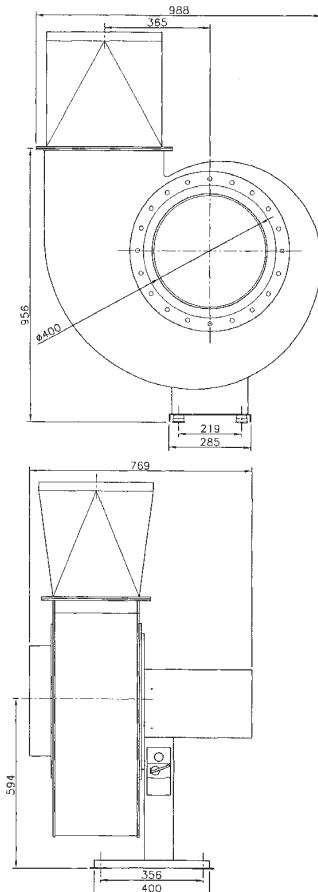
Stand:

Housing and motor are mounted on a galvanised steel frame with anti-vibration mounts.

Net Fan Weight:

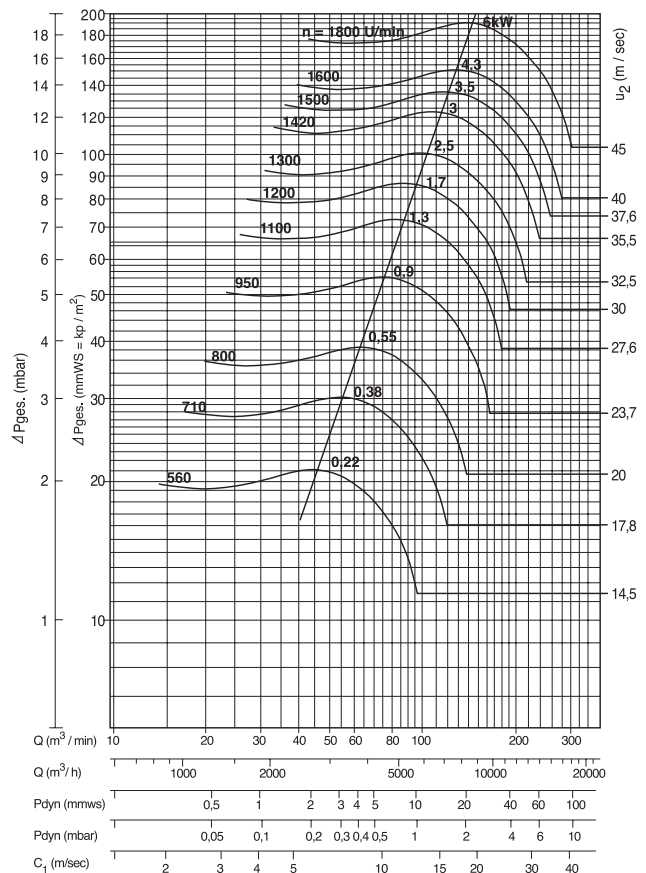
DD400: 65Kg.

DD400 Low Pressure Centrifugal Fan Dimensions



DD400 Low Pressure Centrifugal Fan Characteristic Curves

1 mbar (Millibar) = 100 N/m² (Newton-Meter) = 100 Pa(Pascal)
1 mm ws = 0,09807 mbar (Millibar)



[Homepage](#)